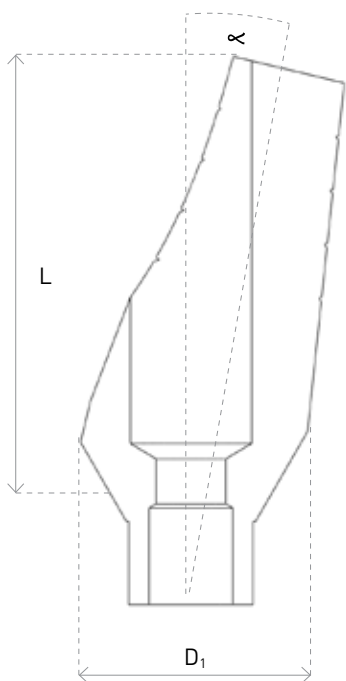


# P4 ANGULAR ABUTMENT



Designed for restoration on tilted implants

Narrow platform - 3mm diameter

Available in 15° and 25°



P4	P4L	P4S - 15
Angular abutment	Long angular abutment	Anatomic angular abutment 15° with shoulder
P4-3, 15	P4L-3, 15	P4S-3, 15-1
P4-3, 25	P4L-3, 25	P4S-3, 15-2
		P4S-3, 15-3
D <sub>1</sub> (mm) = 4 α 15°, 25° L (mm) = 8	D <sub>1</sub> (mm) = 4 α 15°, 25° L (mm) = 13	D <sub>1</sub> (mm) = α 15° L (mm) = 7 LS (mm) = 1, 2, 3



All abutments include a short screw

P3a-3