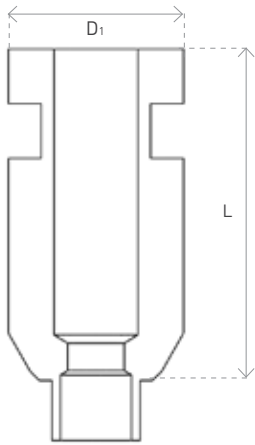
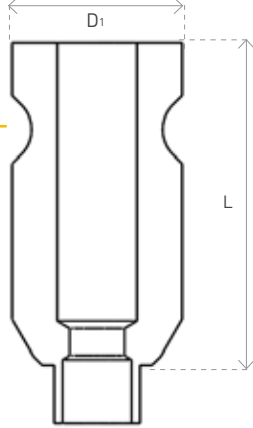


# D2 IMPRESSION TRANSFER

Open tray – sharp edges



Closed tray – round edges



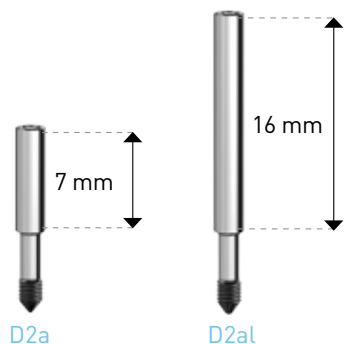
Available for open tray  
- sharp edges & long  
screw, and closed tray  
- round edges & short  
screw

Hexagon  
impression  
transfer



Available with a  
flat connection

D2	D20	D2N	D2NO
Impression transfer for closed tray	Impression transfer for open tray	Narrow impression transfer for closed tray	Narrow impression transfer for open tray
D2-3.75, 9	D20-3.75, 9	D2N-3.75, 9	D2NO - 3.75,15
D2-3.75, 15	D20-3.75, 15		
D <sub>1</sub> (mm) = 4.8	D <sub>1</sub> (mm) = 4.8	D <sub>1</sub> (mm) = 3.75	D <sub>1</sub> (mm) = 3.75
L (mm) = 9, 15	L (mm) = 9, 15	L (mm) = 9	L (mm) = 15



D2 transfers are available with D2a or D2al screws. A short screw for a closed tray and a long screw for an open tray.